

An Audio Amplifier As a Power Generator. (Only Ground needed).

PAULOS that is a shortcut of 'Power Amplifier Under License Overunity System'.

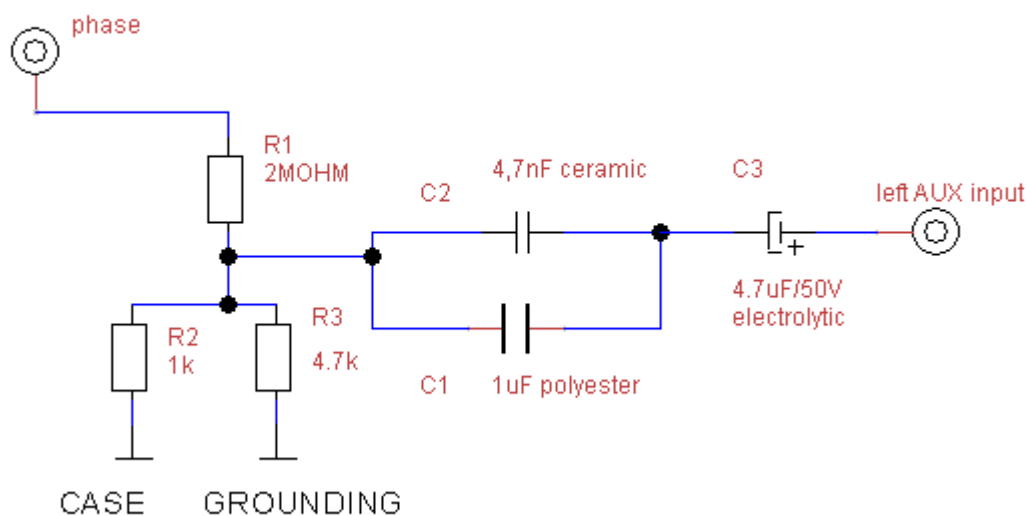
STEP 1. Choose amplifier. All with power between 10 – 50W will be suitable. Especially older stuff from 70's and 80's. Sometimes it is written that power is 100W or even 800W. Though in fact the real power is 30W so that the amplifier is suitable for our purposes. I've chosen McTaato Nightline 400. You can try with kits from TDA2030 to higher powers. Give good heatsinks. Give two independent 47kohm potentiometer for two channel. With pots we will change the voltage.

STEP 2. Correct heatsink for the last stage of amplifying. Sometimes it is good to screw some piece of aluminium tin more into our heat exchanger.

STEP 3. Use Step-Up transformer instead of speaker in the LEFT CHANNEL. An ac line transformer of maximum power 15W like 230V/12V or 230V/9V (US 110/12V) with at least 1.5 ohm on the secondary winding measured with multimeter (resistance) is needed. Very often suitable transformer you may find in the boombox. Caution: Measure the winding resistance to save your amplifier and avoid overheating. The transformer is connected reversed (step up). 1.5ohm is the absolute minimum. You can give 0,22ohm-0,33ohm/3W resistor in series if the amplifier is overheating.

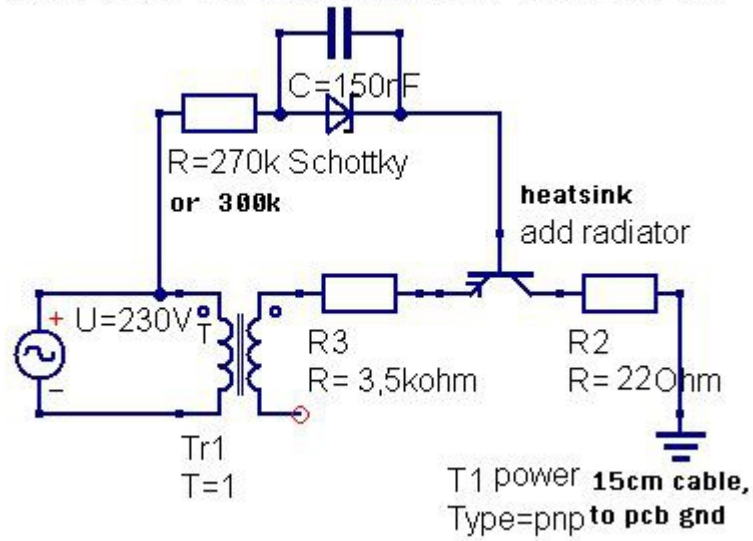
STEP 4 Trigger the transformer with the right noise. Set your volume to such level that you achieve the right voltage on your transformer output. This you will connect into AC IN of your device. Watch out the potentiometer! To get the right 50hz hum noise you may put a long wire into the left in or put the signal from phase via resistor divider like 500k a 1k and take the signal via poly cap like 1uF. This is better option.

PAULOS - GETTING SIGNAL



STEP 5. unnecessary. Make a booster for amplifier PCB. It triggers the pcb neutral to have ac noises in it. Set something like this between transformer and PCB GND. The transistor is power PNP, the diode is Schottky 5A/100V. The resistors are 2W minimum. The capacitor is poly. You may adjust with resistors how many ac noise goes into your amplifier. Even those who managed to build ac power generator from an audio amplifier didn't know this little secret that adds power into the system. It may be enough to use resistor and diode, but i recommend to add transistor into job. Play with resistors to get better effect.

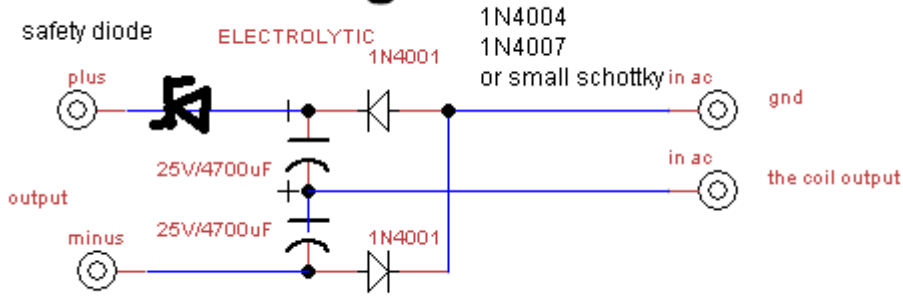
PAULOS GENERATOR BUSTER



STEP.6 Getting overunity with the right channel. Take a 15-20cm ferrite rod from old radio (am antenna rod), put a winding on it from 4000-6000 turns of enameled wire (0,2-0,3mm²). Don't use any plastic pipe, put wire straight on the rod. With the whole diameter of 26-30mm and induction minimum 100-120mH (better more) this should give extra current into the power supply. After the coil you normally put voltage doubler.



Voltage Doubler

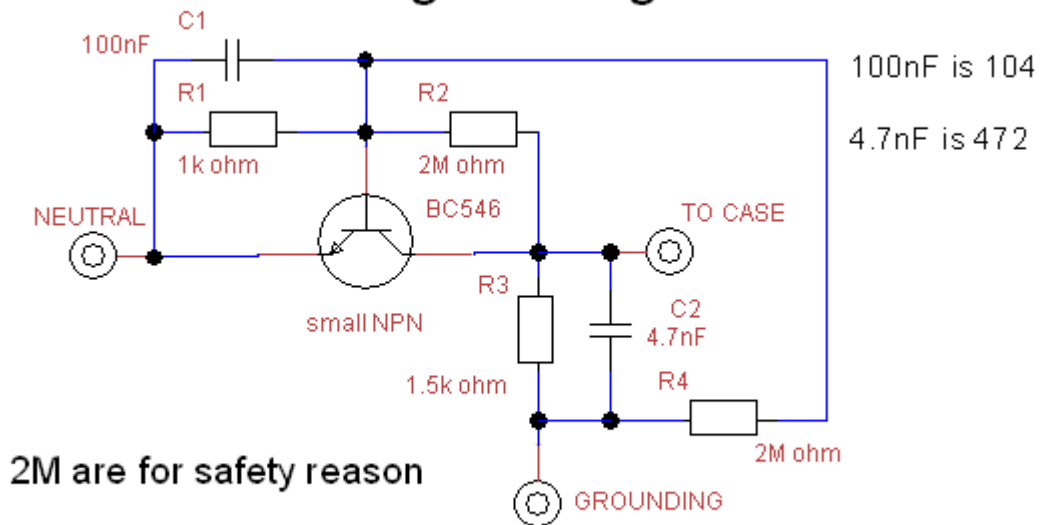


STEP.7 The signal should be **1kHz (may be tuned bit)** triangle or sawtooth **2-4V** (overload) for THE RIGHT CHANNEL that you may achieve using small wave generator with amplitude adjust based on **555 timer**. Be aware not to give more than 5V voltage on output, cause you can blow your amplifier. You may lower down some resistances in the right channel to achieve more voltage on the output. Such coils works much better when the voltage is higher on the amplifier, so changing some resistances for lower in the right channel may be very helpful. The signal after the voltage doubler via another diode you put on the plus of power supply, if its linear, you leave the minus, only use gnd and plus. In some cases even simple output 555 triangle timer kits will do the work if the amplitude is set right. But probably better **sawtooth signal**.

STEP. 8 Ground your case. Ground also neutral.

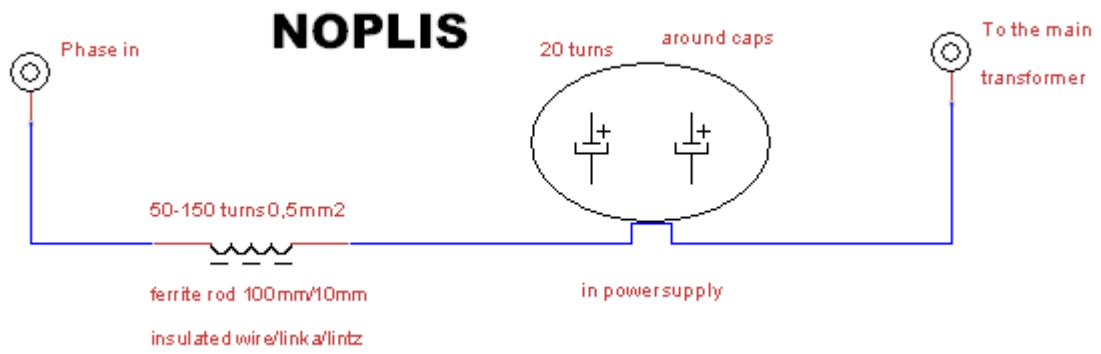
You may play with extra connection via transistor that give extra power into system, but this may not work for every solution. I tried this connection, and somehow it was better. Its strange thing but was working for me. A little NPN transistor was fine here like BC546 or BC338/BC238.

extra grounding

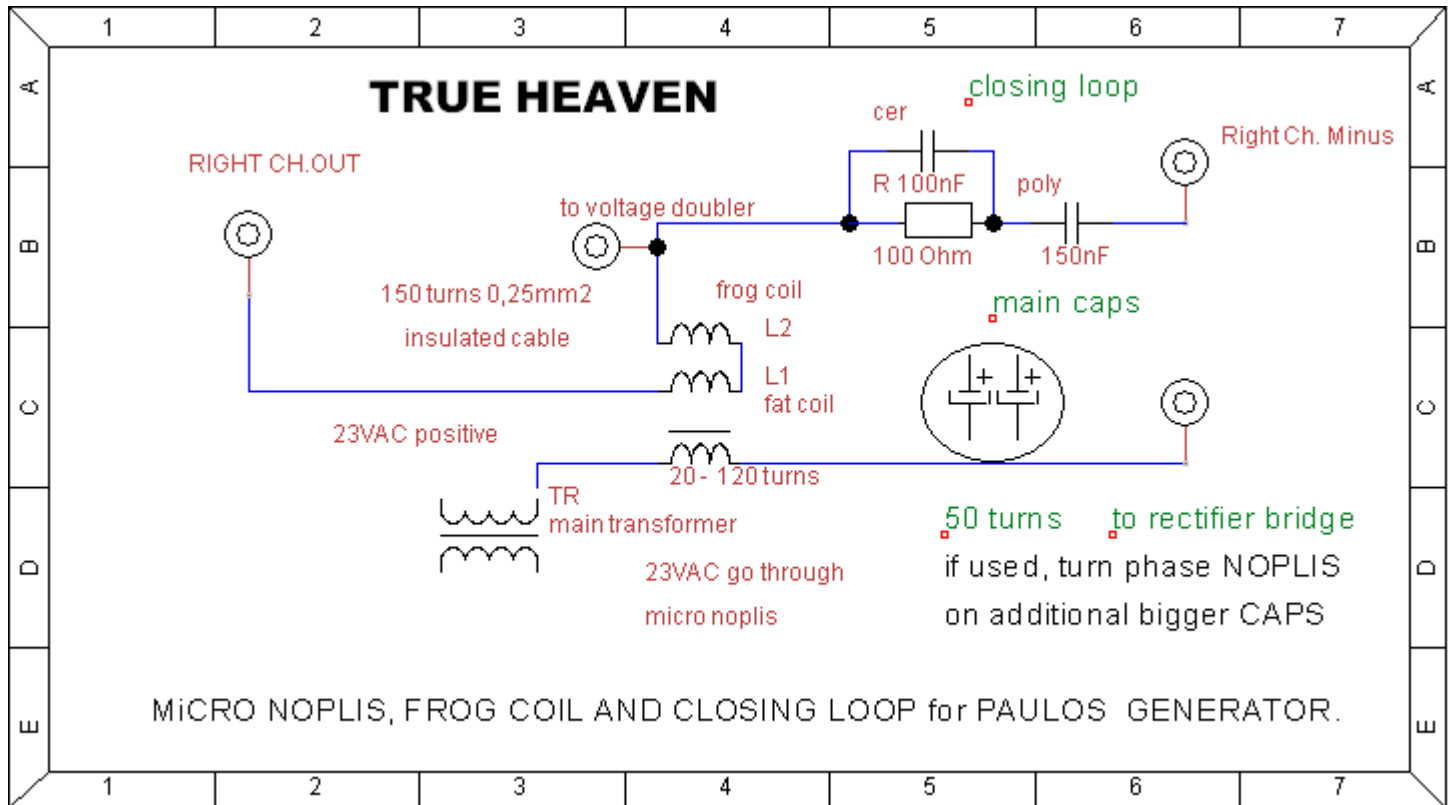


STEP. 9 Give a momentary switch button to start your system from ac line. To start only phase is needed. The installation though must not use residual current detectors in the direction to power bill meter. Be aware on socket sides. In normal case the phase is in the left part of the AC inwall socket. Check the sides, and make a sign on the plug where is the phase. You cannot mess the sides, because neutral is connected with grounding. If you want your system to be safe for residual current device, give a double channel switch (**START/WORK**). (6 pole)

STEP. 10. recommended. NOPLIS – very important wire. Take single insulated wire (linka, lintz) few metres long. Take another ferrite core from old radio, could be shorter like 80-100mm. Then wound a Noplis on the core and around the main capacitors. The old thick caps suit it better than the modern one. If you have modern amplifier with little caps, solder the old one to the supply on cables as additional and wound the wire around them, don't use ∞ topology if you have 2 caps in linear supply. Just wound the cable on both.



STEP. 12. Close the loop of right channel into right channel minus by RC circuit. Wound additional frog coil by insulated cable. You may make Micro-Noplis in some of the older radios that utilize lower voltage ac line.



STEP.13 Install 'blue AC socket' or two of such into your power amplifier :). Now you have a free energy generator.



Print it, give it to friends!
VERSION 8.

Additional talking:

1. With 1 ohm transformer the amplifier may overheat. There are many 12V transformers that have 1.8 ohm or more, just search.
2. You show noplis goes into gnd. This is mistake and would make a short circuit. If you would even take only signal from phase and wound around the main caps this may help. I mean in noplis to 'go through'.
3. Neutral needs to be grounded. Only one output of transformer is suitable. Put a normal 15W max! Lightbulb and connect your grounding to different ends and find is there any voltage raise(more light). Then ground this side. Set the voltage on potentiometer to 245-248V unloaded. You may try with my extra grounding.
4. Sometimes, especially if booster is used to put pcb gnd into vibration you may connect tops of the caps(the alu cover) with mass. This is another trick(captret effect) i used to use back in the day.
5. Your schematic is not safe for rcd. Though this breaks kirchhoff law and You may see your meter consuming half of the power. Just install it to nearest wall socket to power meter (5 metres or lower).
To be safe for rcd you need to use dual channel start switch and 'believe' in your caps for a second.

I have some images how I wound the coil. Yes in Poland we say radiator for heatsink. Sorry for my weak language. I am still learning.

I don't know where the overunity comes from in this system, but I think it's very easy to do. You may adjust both channels using Daqarta program and a computer with soundcard that does not cancel 50Hz noise (most modern laptops mute this frequency at the level of a soundcard). Maximum frequency for left channel is (50,100, 200, 400Hz) 600Hz and for right channel that should be loud hiss. Once I did a 2V whistle of 2 transistors for this channel, the freq. should be sth like 1-1.3kHz with a triangle or sawtooth, it doesn't matter much, though it needs to be loud as hell. Also modifying the amplifier that it will give higher voltage on the right channel is well seen (exchange some resistors for lower in most cases), then you give from RIGHT SPEAKER OUT a coil with about 5000 turns of wire simply wounded on a ferrite core (i always take enameled wire from OLD TV - the one around the screen), put into a voltage doubler and via schottky into plus of a power supply. also good technic is to wound phase wire before it goes into transformer around the capacitors with insulated cable. then some voltage induce in the caps. There's also special signal to captret the caps (to treat their tops with special signal, I know the specification of this signal and I will describe).

I'll try to describe this technology as good as I can. I was fighting more than 2 years to remind, especially how I was making the booster, because most projects on this topic I made in my childhood in the attic and I almost forget it all. And that audio stuff is easiest method to achieve free energy. I had also successes with combining Kapanadze coils with amplifiers as a teenager. I'll try to describe this aswell. I am sure this technology like SR193 or Dally really works, cause I was succesful in making this stuff.

if a residual current detector is used, i advise starting the system from UPS. or any 12v battery with inverter. this makes it even more portable. first, connect the grounding. also maybe when using my mentioned connection via transistor, the safety switch may not turn off the voltage. I didn't try yet, though my experience with residual current safety switches aren't fine for paulos.

hope this idea can help.

in Poland we use RCD only in kitchens and bathrooms separately.

Noplis is a kind of a simple trick with the phase. You need several metres of 0.5mm² insulated wire. You go from where phase is.

You leave 30cm spare, take a ferrite rod 100mm minimum and wound around it about 50-100 turns then left another 30cm and wound the cable 20 times around the capacitors in the supply then you go into the switch of an amplifier. This is noplis. Some of amplifiers need only these and step up transformer to go overunity.

Right channel needs many turns like 4000 and noplis only about 50 to work. In noplis cable 230VAC goes, but before transformer some current is added to it on the ferrite rod and also capacitors are charged. This is a whole different thing.

With noplis and transformer go the one with the big caps, before the miniaturization. Polish Unitra amplifuners Elizabeth or Radmor 5102 i've tried and they worked, though my prototype was stolen ;/. this is only a piece of cable, but really gathers somehow overunity into the system. maybe even this nightline would go :) always you can found an old capacitors, solder them into the system and try :D. The new capacitors are miniaturized and don't gather the electricity that good. I also was checking this technology (wounding caps) for the Kapanadze resonance and for the 40mm caps there was something in it.

I think many of the old stuff would go, but nowadays this may be expensive to grab cause people treat them as vintage...

but yes, start with the noplis trick and transformer. if this would be turning off, there is right channel still. I won't play with booster for a start. I recalculated that 55 meters of enameled wire is minimum. You can wound even 80m there. This is because an amplifier in standard without tuning the resistors wouldn't give enough voltage on output for coil. the voltage doubler gives still hope to hold the supply.

For noplis you need rather insulated cable (like the one used for fm antenna sometimes, but longer)

Because enameled wire doesn't have proper insulation. I think 5m would be enough. Ask in the store for electrician or stores like obi, ikea. I don't suggest using enameled wire to wound around capacitors.

yes, this transformer will be used on the left channel instead of a speaker. to mount it you need to drill two holes, somewhere near the existing transformer. install it with M4 screws. desolder two cables red and black which goes into the speaker socket and connect it to the yellow cables. put voltmeter (this little with led indicator) on the output. put a long cable in the left rca socket, regulate the potentiometer from zero and see if you can achieve any voltage higher than 100 volts. now take ground cable. you will put it **only to one of the outputs (blue or brown colored), the one when voltmeter shows a few volts more. this will be our neutral together, and the second will be an artificial phase. if you want to stay with the colors, reverse the yellow cables. does your radio has a ferrite core ? (am antenna). you can dismantle it. may be helpful for one of the tricks with phase :).** Maybe You have some old radio tape recorder with right transformer? Ask neighbours. Open the case and measure the resistance with multimeter on the secondary. If it's 2ohm or more this will work:-).

I didn't try with TS6/63, but it may be too weak. In instruction i said 15W and this is only 6W. Trafo selection isn't that easy, cause the secondary impedance counts. Most of trafos have something like 1ohm, and we need something like 1,8ohm minimum. I think a better option is to buy used radio and my proposition is Philips AQ5150. Trafo in it will work for our purposes. Search for broken or used Philips AQ5150 on auctions. This should be cheap.

Here you have video with voltage doubler, its output is going into power supply of an amplifier.

[Dc voltage doubler Circuit - YouTube](#)

between the capacitors you should put output of the coil. the diameter of enameled wire is 0,2mm2 to 0,3mm2, its not that important. right wire you can find in old crt tv, it goes around the screen and is insulated with a black electric tape. You can remove the insulation and then wire manually the coil. 5000 turns means about 55-80metres of wire. most of amplifiers use linear supplies, and the volts are sth like +/- 22-28V. When you achieve 18-20V on the voltage doubler output this may be enough. But don't forget the safety diode on its output in series (the schematic lacks it).in most cases there will be only one potentiometer to regulate both transformer voltage and coil. so it is good to have an amplifier with two potentiometres.

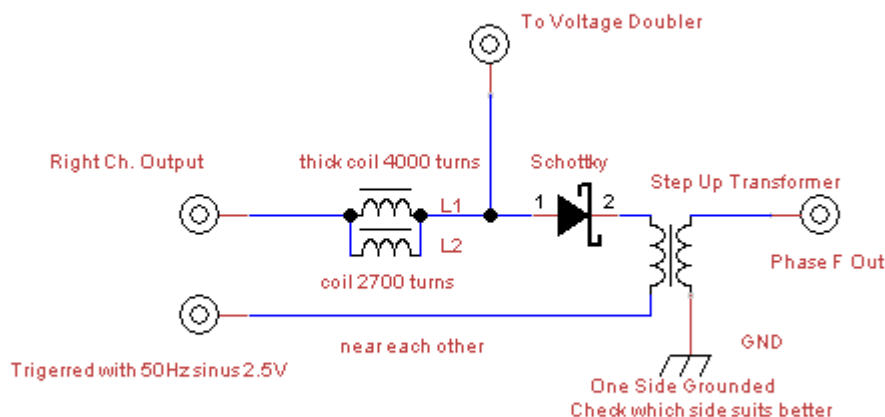
a workable 3-phase AC power supply.

I will tell you how in few sentences. Take a Robotron RS2500 or RS2510. if you have good skill in electronics i'll try to teach how to make 3-phase system of an amplifier. sadly only few of amplifiers are good for these because of mounting. there is another trick called 'grabber' that you wound around the existing transformer with insulated cable. but i think 1000 turns are needed to this and old type of transformer. i didn't try with cake transformer (toroidal). then you make step up with transformer. this is phase 'G'. Phase 'B' you get as in standard and Phase F is step up after the coil on right channel (needs to be triggered with 50hz not 1khz, but use a 2.5v overload and tune the resistors in right channel). you still use voltage doubler to hold the ps. so you need at all 3 step up transformers which one of it needs the right impedance . and the R S T i equal to G B F. though the phase are not superb in degrees, this needs tu be tuned a bit. i don't know how to measure phase degrees, maybe with a scope... this gives only a 1-1,5 kwatt of power, but 3 phases , so you can run a motor that runs an 3 phase 10kwatt AC generator (qmogen) and have household powered. give it a try stereo is enough. the only problem for grabber is how transformer is mounted. But Robotron RS2500 is OK. I've managed to build such 30 years ago for an amateur of strange inventions.

3rd channel is rather used to play captret signal for alu covers of capacitors. You play it loop from mp3. 8hz noisy beeps are the best. like the one used to set brain into alpha state. here you use 4,6,8 and 12Hz

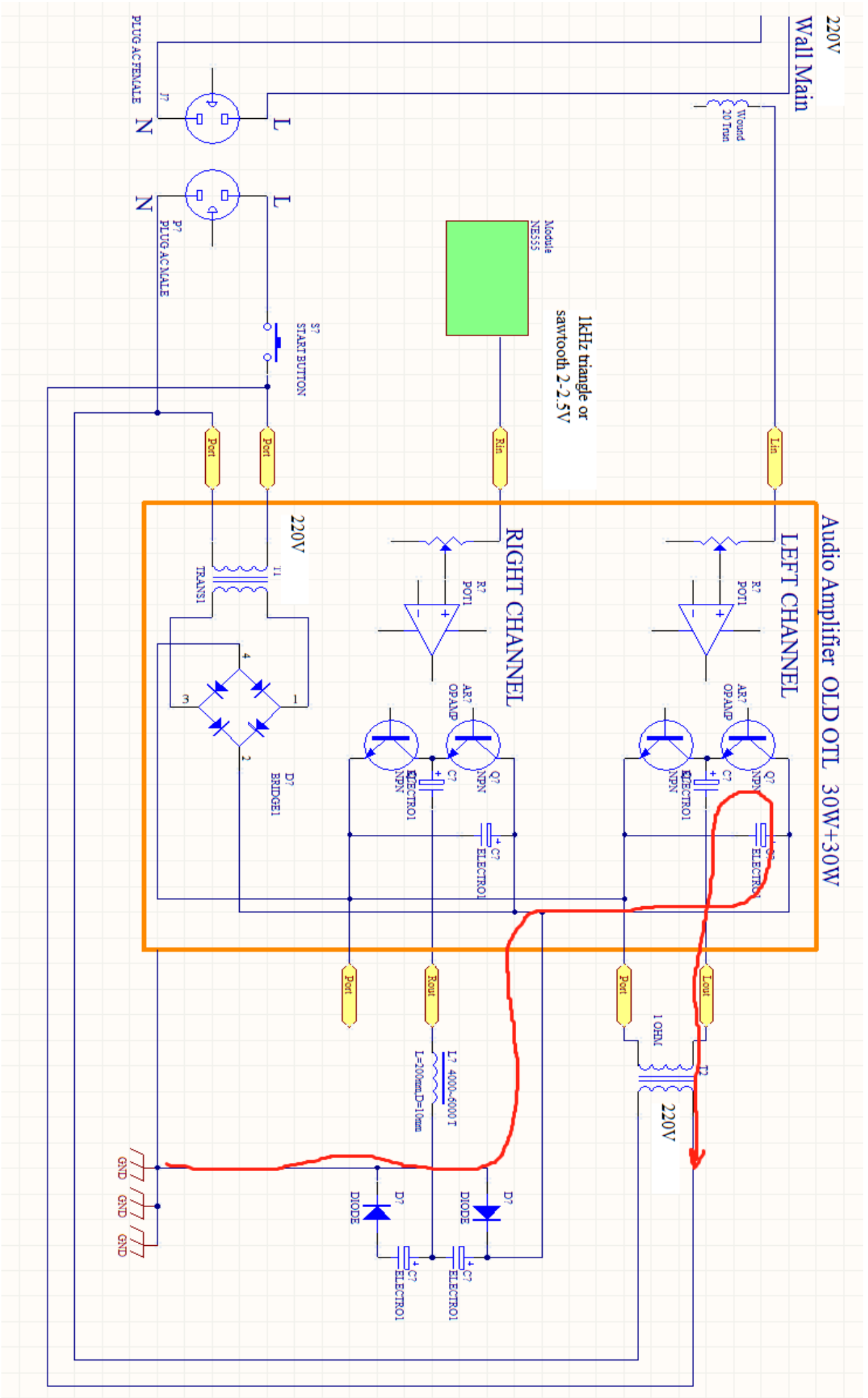
only, <https://mynoise.net/NoiseMachines/binauralBrainwaveGenerator.php> record and play loop at maximum volume. again correct resistors in third channel to get more voltage on output. use a soundcard without hum noise cancelling (some laptops use this, try on ATX). Then you connect the signal to most of the big caps around (easier for older units). You may use even two thick coils to have even more current.

RIGHT CHANNEL in PAULO'S GFB (3 phase)



by giving the number of turns ratio you correct the phase degree

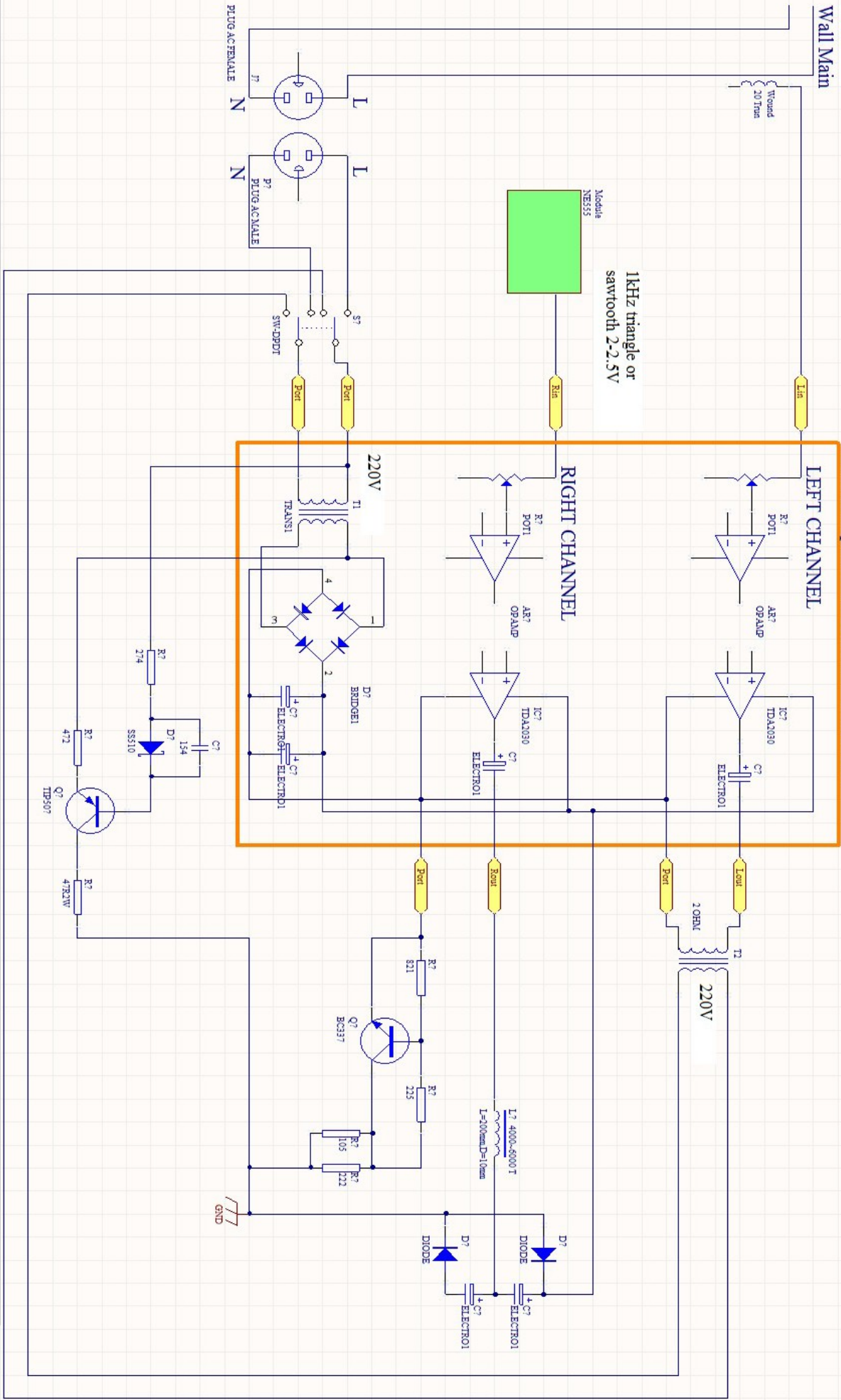
Alternative schematics:



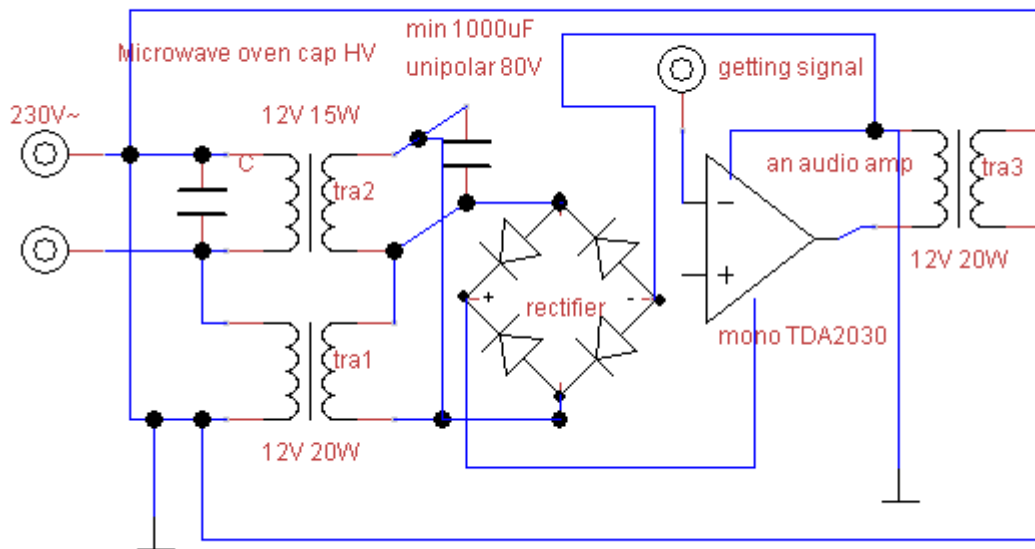
220V

Wall Main

Audio Amplifier OLD OTL 14W+14W



KEEPER PAULOS



you may use other unipolar capacitor from a motor (the higher capacitance in uF). Tra3 is TS6/63.